



## DESCRIPTION

TRIASMOKE FIX is a static smoke curtain that in case of fire limits and controls the movement of smoke, with classification DA or DH 30.

The smoke curtain delimits the space of the building according to the areas that have been specified to prevent the smoke spreading into other areas.

TRIASMOKE FIX is a curtain appropriated to industrial buildings or buildings where the rise and fall of the curtains is not a key feature or where the aesthetic is not fundamental.

Tested and approved according to the European Standard UNE EN 12101-1 and with CE Marking.

## CLASSIFICATION

DA

DH 30



# triasmoke fix

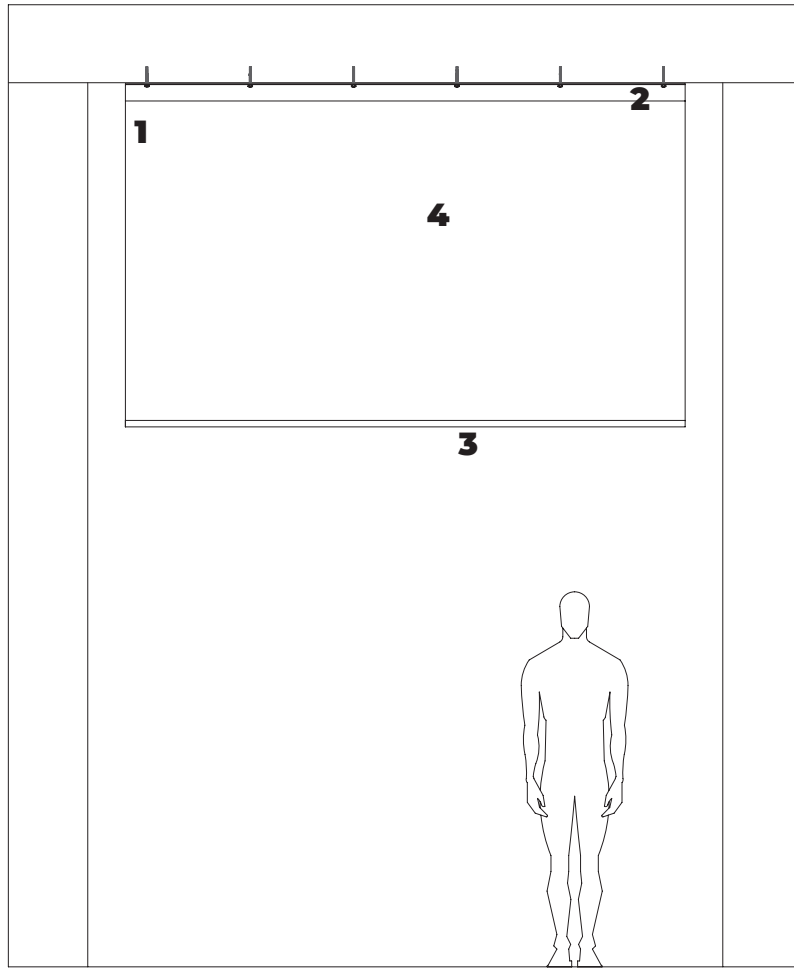
## FABRIC

The fiberglass fabric resists up to 600°C. The polyurethane coating on both sides guarantees mechanical stability when handling the fabric not only in the sewing process but also during the installation. All seams are done with high resistance Kevlar wire.

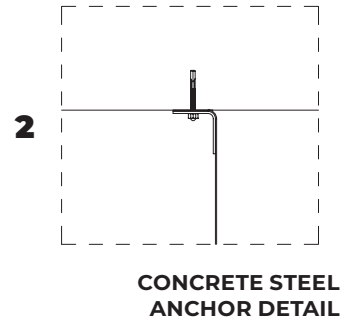
## OPTIONAL EXTRAS

The standard colour is grey but as optional in white and black.

*Note: other requirements and customized solutions on demand.*



FRONT VIEW



CONCRETE STEEL ANCHOR DETAIL

1. galvanized steel angle 40 x 40 x 0.8 mm
2. concrete steel anchor screw
3. 10 mm diameter round steel rod
4. smoke resistant fabric