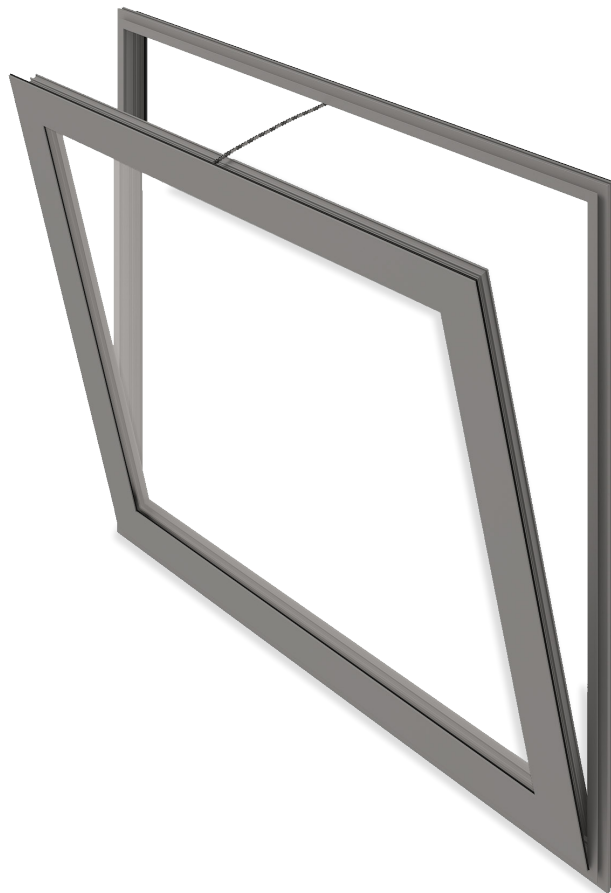


PRODUCT FEATURES

PERVEA is a thermally broken natural ventilation window suitable for natural day to day ventilation and smoke control for installation on vertical facades. It has a slim structure, a compact construction and excellent aesthetics with the motor fully concealed from view. Possible glazing from 13 to 61 mm. Several electric opening systems are available.





pervea

TYPICAL APPLICATIONS

Particularly suitable for applications on facades. Installations: shopping centres; atria, offices, etc. Special profiles can be adapted for wall curtain systems or others as opening masonry.

MATERIALS

The window structure consists of tempered aluminium. Both the outer frame and flap frame are thermally broken. The frame is sealed with EPDM rubbers.

DIMENSIONS

Depends on type of profiles. Available in different sizes.

INSTALLATION ANGLE

The mounting angle is 90°.

OPENING ANGLE

Depends on dimensions, weight and type of control system.

AIR, WIND, WATER TIGHTNESS

Air permeability: class 4 (600 Pa).
Resistance to wind load: C4 (1600 Pa).
Water tightness: E (750 Pa).

THERMAL INSULATION

U-value down to 1.6 W/m²K depending on the frame/vent combination and the glass thickness. Versions with high insulation, HI and HI+, are available.

ACOUSTIC PERFORMANCE

Rw (C; Ctr) = 42 (-2; -4) dB

GLAZING POSSIBILITIES

Possible glazing from 13 to 61 mm. Other thicknesses are available in combination with other profiles.

CONTROLS

Hidden motors in aluminium profiles:

M24V: chain electric drive (for smoke and day to day ventilation).

M230V: chain electric drive (for day to day ventilation).

WEIGHT

Depends on dimensions and type of materials.

OPTIONS

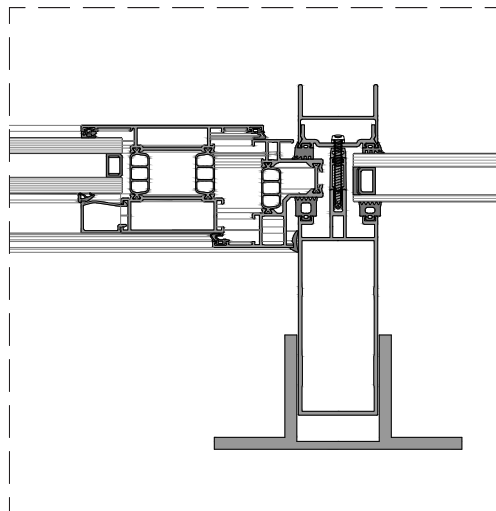
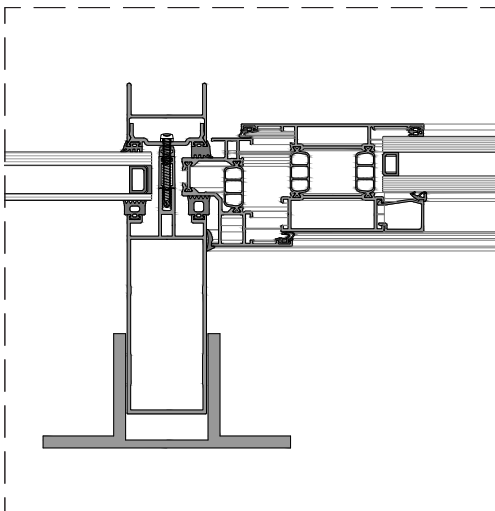
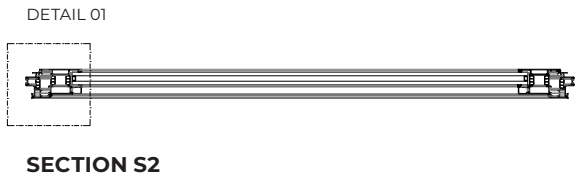
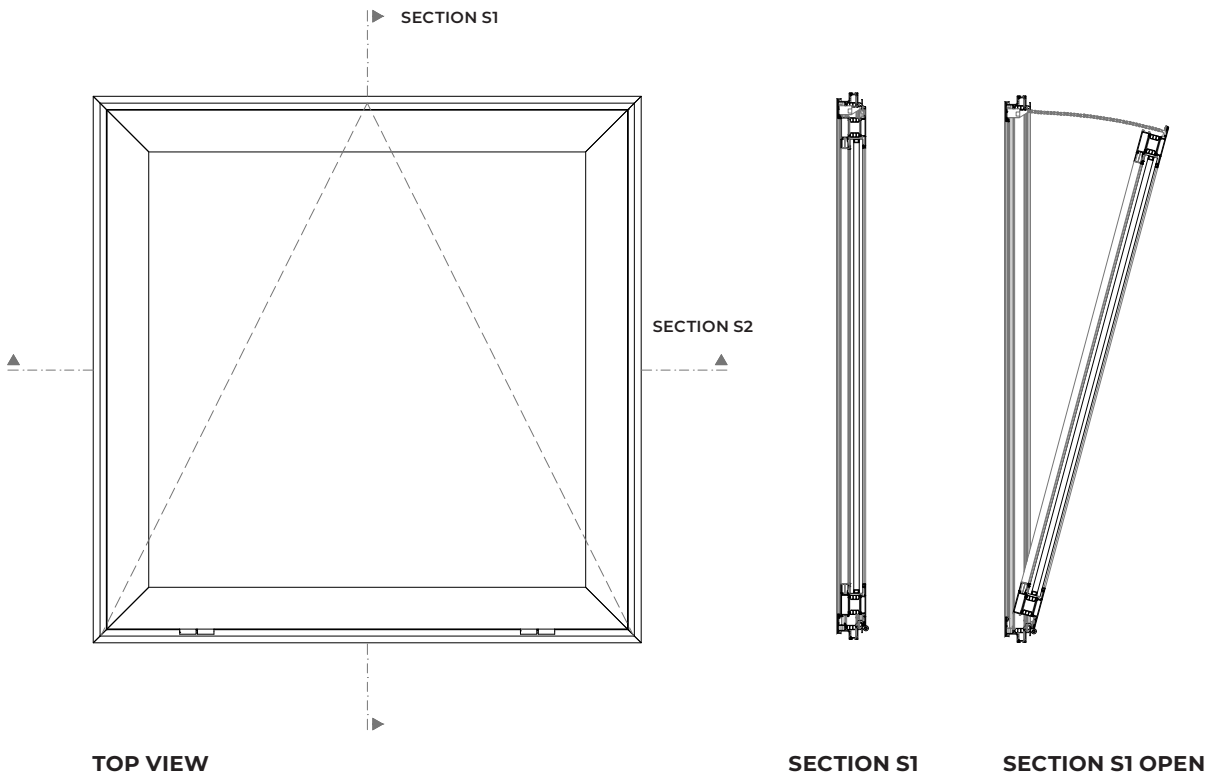
Custom dimensions.

Powder-coated design (any RAL colour).

REGULATIONS

The system has been tested and is certified in accordance with EN 12101-2.

P01 PROFILE



DETAIL 01
p01 wall curtain system profile

P02 PROFILE

