

## DESCRIPTION

MEGAFIRE is an Automatic Fire Curtain that in the case of fire, limits and controls the fire, with classification EI<sub>130</sub> and EI<sub>160</sub>.

The curtain is composed of fiberglass fabric with intumescent coating seamed with reinforced steel wire and fixed to a steel roller with 89 mm of diameter. The headbox and side guides are manufactured in Galvanized steel.

All the system is driven by a 230 V tubular motor with Special Gravity Fail-Safe System.

The control panel for automatic curtains (CBM), with a nominal input voltage of 115 V or 220 V and output voltage of 230 V.

Uninterruptible Power Supply (UPS System) exists in all control panels.

Tested in accordance with EN 1634-1 and classified in accordance with EN 13501-2, CE Marking according to EN 16034 standard.

## CLASSIFICATION

EI<sub>130</sub>

EI<sub>160</sub>



# megafire EI60

## OPERATION

The system can be activated by a SHEV, fire alarm contact, internal fire and smoke detection devices, or manual emergency buttons. In the event of a fire, the Control Panel (CBM), receives the signal alarm, and the automatic curtain deploys automatically, with the controlled and safe constant speed of descent even following total power loss on all curtains. If there is a false alarm the curtains return to stand-by position automatically after reset of alarm from the main Fire Management Systems. In case of main power loss, the curtain will remain fully retracted thanks to the battery backup system.

## FABRIC

The curtain is composed of three layers to form a particularly compact, fire-resistant unit with EI 60 classification without irrigation.

## HEADBOX

Galvanized Steel headbox 1.2 mm thickness with different possibilities to adapt to different architectural spaces, and maintenance requirements. Dimensions of the headbox vary depending on the width and height of the curtain.

## SIDE GUIDES

Galvanized Steel from 1,5 to 3 mm thickness.

## ROLLER

Galvanized Steel of 3 mm thickness and 89 mm diameter.

## **ELECTRIC MOTOR**

**Tubular motor:** 230 V  
**Maximum power:** 435 W / 120 Nm  
**Maximum current:** 1.9 A  
**Average linear speed:** 0.11 m/s

## **CBM CONTROL PANEL**

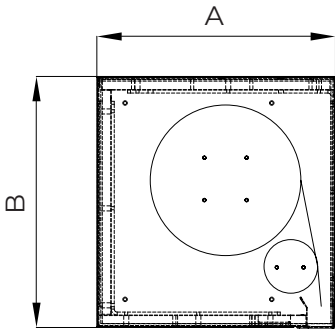
Receives the signal alarm from the Fire Management System and controls the movement of curtains. Visual and acoustic alert system.  
**Dimensions (W x H x D):** from 300 x 230 x 140 mm  
**Input:** 115 or 220 V 50Hz  
**Output:** 230 V  
**Battery:** 2 x 12 V 7 Ah rechargeable

## **OPTIONAL EXTRAS**

**RAL coating:** headbox and side guides.  
**Stainless steel elements:** headbox, side guides, screws, rivets.  
**Escape button:** pushing this button the curtain goes up and the user can escape through the opening, the curtain deploys 30s later automatically.  
**Emergency button:** pushing this button the curtain deploys immediately.

**Note:** other requirements and customized solutions on demand.

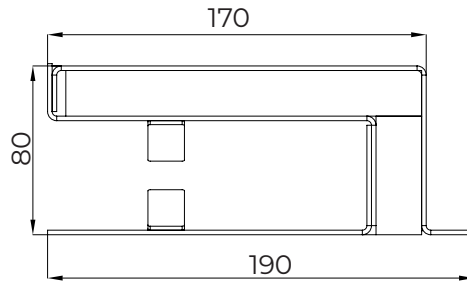
## HEADBOX



### SINGLE ROLLER

A: 300-800 mm  
B: 300-800 mm

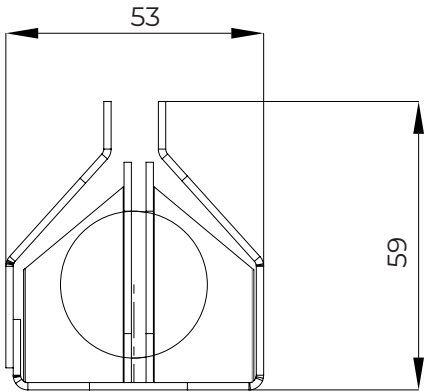
## SIDE GUIDES



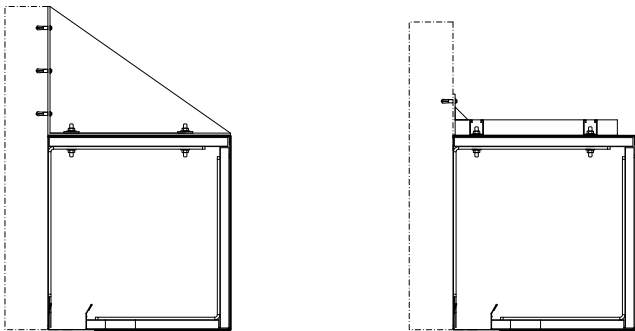
### SCREW SIDE GUIDES STANDARD

A: 170 mm  
B: 130 mm

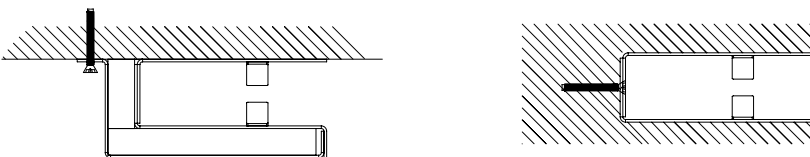
## COUNTERWEIGHT



## HEADBOX INSTALLATION

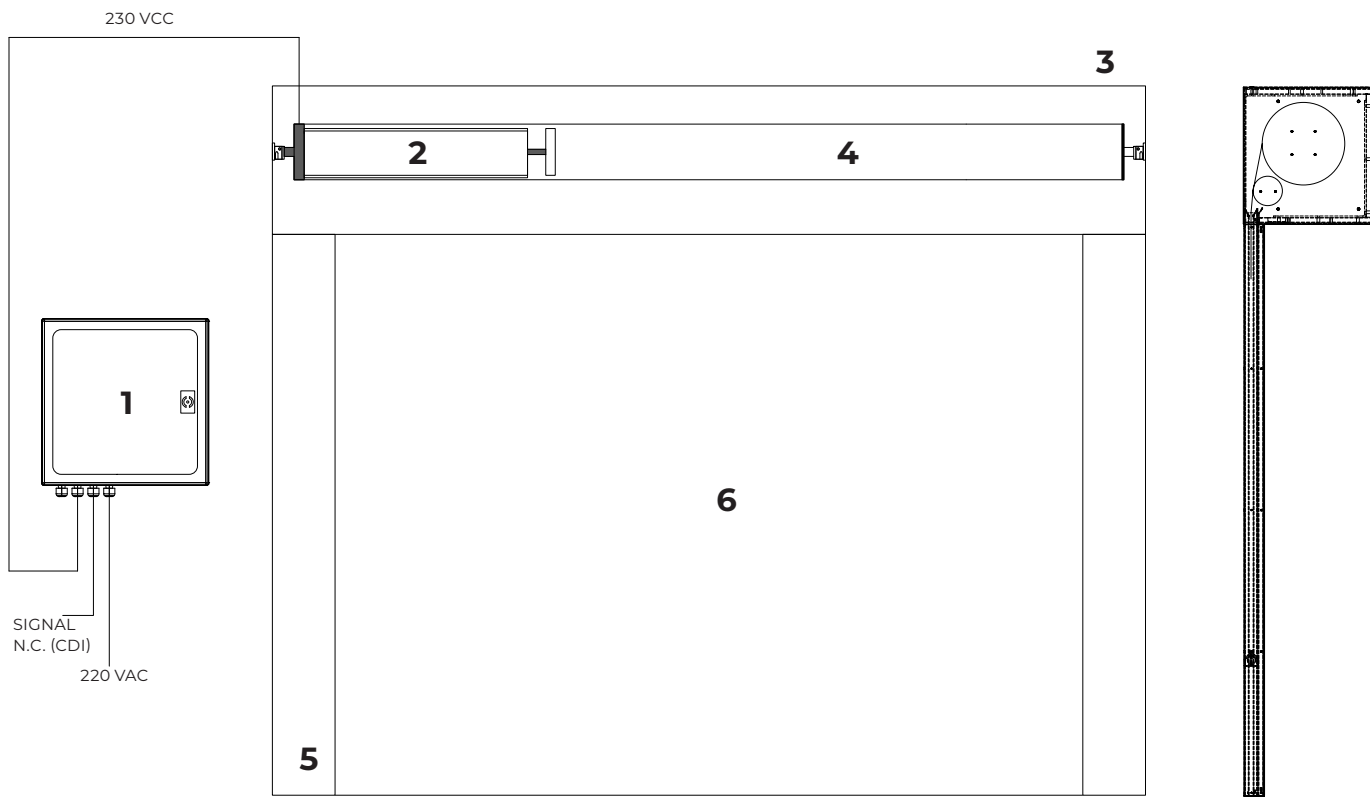


## SIDE GUIDES INSTALLATION



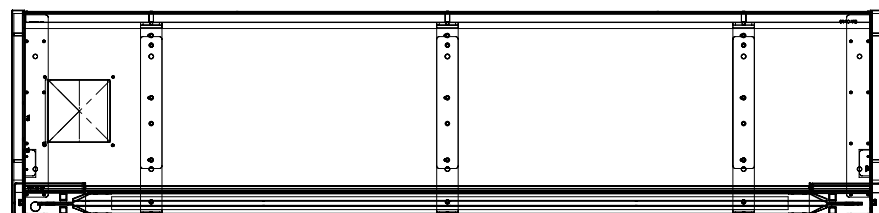
SIDE WALL

HIDDEN



**FRONT VIEW**

**VERTICAL SECTION**



**TOP VIEW**

1. control panel CBM
2. TRIA motor 230 V
3. galvanized steel headbox
4. galvanized steel roller
5. galvanized steel side guides
6. fire resistant fabric